

Terminal Block, Terminal

STB4040CH-5.08-XX

Description

The STB4040H-5.08-XX is a screw terminal to be mounted directly on a PCB. The connector is available from 2 up to 24 poles.



Typical applications

- Wire to Board
- Board to Wire



Features

Mechanical Properties	Description
Connector Type	Terminal
Dimensions	(Poles * 5.08) x 8.2 x 10 mm ± 0.2
Operating Temperature Range	-40°C~+105°C
Wire Range	14 - 26 AWG, 0.5 – 1.5 mm ²
Cable stripping Length	5 mm
Rated Torque	0.4Nm (3.54 Lb. in)
Pitch	5.08 mm
Poles	2-24 Poles
Housing	PA66, UL94V-0
Screw	Steel, Zn plated
Terminal	Copper Alloy, Sn plated
Cage	Copper Alloy, Ni plated

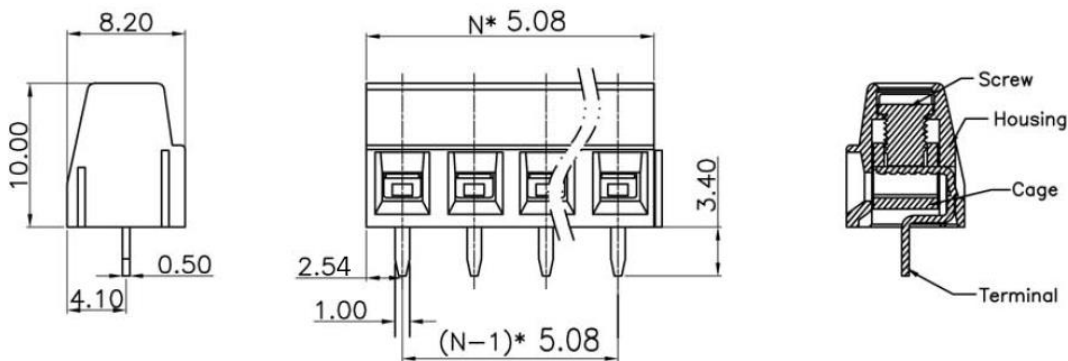
Terminal Block, Terminal

STB4040CH-5.08-XX

Electrical Properties	Description	
Standard	UL	IEC
Rated Voltage	300V	250V
Rated Current	15A	17.5A
Contact Resistance	20mΩ (Max.)	
Insulation Resistance	500MΩ / 500V	
Withstanding Voltage	AC 2000V / 1Min.	

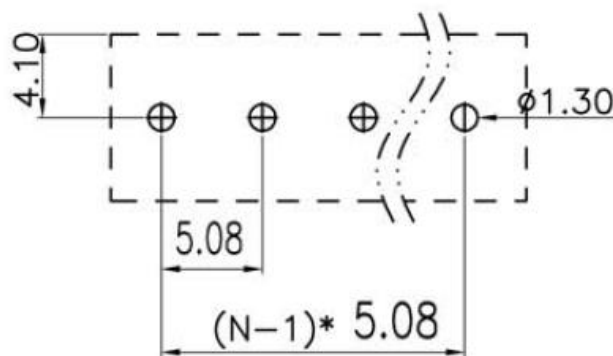
Dimensions

*unit: mm, N= number of poles



PCB Footprint

*unit: mm , N = number of poles



Terminal Block, Terminal

STB4040CH-5.08-XX

Pole	2	3	4	5	6	7	8	9	10	11	12	13
Length	10,2	15,2	20,3	25,4	30,5	35,6	40,6	45,7	50,8	55,9	61	66
Pitch	5,08	10,2	15,2	20,3	25,4	30,5	35,6	40,6	45,7	50,8	55,9	61

Pole	14	15	16	17	18	19	20	21	22	23	24
Length	71,1	76,2	81,3	86,4	91,4	96,5	101,6	106,7	111,8	116,8	121,9
Pitch	66	71,1	76,2	81,3	86,4	91,4	96,5	101,6	106,7	111,8	116,8

Part number

STB4040CX-XXX-XX

STB4040C	Style of connector
H	Horizontal
5,08	Pitch
XX	Poles 2,3,4,5,6,7,8, 9,10, 11,12, 13,14,15,16,17,18,19,20, 21,22,23,24

Ordering information

Ordering can be done via www.summit-electronics.com or via info@summit-electronics.com. Please contact us for more information. Customisation of the product is available on request.

Technical support

For all product questions please contact us via info@summit-electronics.com

Document revision

Rev	Date	Changes
V01.00	06-04-2023	First issue of document

Terminal Block, Terminal

STB4040CH-5.08-XX

